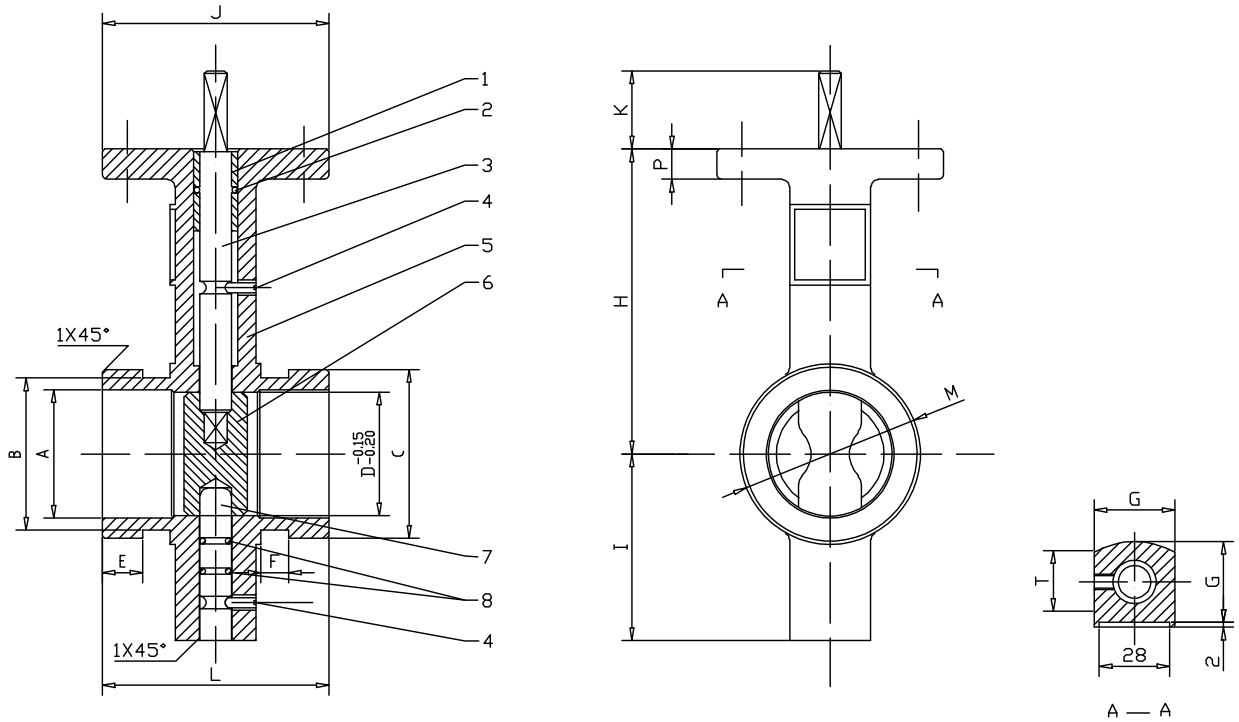


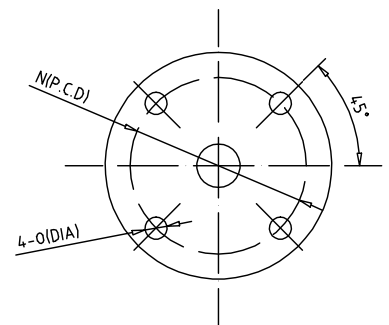


Grooved End Butterfly Valve(DN50-300)



Material List

ITEM	PARTSNAME	MATERIAIS
1	BUSHING	PTFE
2	O-RING	EPDM/Buna/Hypalon/Viton/Neoprene/NBR
3	UPPER STEM	Cr13/SS416/SS316/Carbon steel
4	SET SCREW	CS M6
5	BODY	Cast iron/Ductile iron/Stainless steel/Carbon steel
6	DISC	Al-Bronze/CF8M/WCB/Ductile iron
7	LOWER STEM	Cr13/SS416/SS316/Carbon steel
8	O-RING	EPDM/Buna/Hypalon/Viton/Neoprene/NBR



Outline Dimensions & Connection Dimensions(mm)

SIDE	A	B	C	D	E	F	G	H	I	J	K	L	M	N	□	P
2"	50	57.15	60.3	49.2	15.88	8.74	32	119	65	90	30	84.6	71	70	9	12
2.5"	61	72.26	76.1	60	15.88	8.74	32	125.5	68.5	90	30	97.8	77	70	9	12
3"	80	84.94	88.9	79.3	15.88	8.74	35	131.5	80	90	30	97.8	101	70	9	12
4"	101	110.08	114.3	99.2	15.88	8.74	40	151	94	90	30	111.3	126	70	9	14
5"	127	135.48	139.7	124	15.88	8.74	43	171.5	108	90	30	134	146	70	9	14
6"	150	160.78	165.1	147	15.88	8.74	43	183	123	90	30	134	180	70	9	14
8"	202	211.6	216.3	199	19.05	11.91	50	205.4	149.4	125	41	148	238	102	11	18
10"	253	262.6	267.4	249	19.05	11.91	59	250	186	125	41	160	292	102	11	18
12"	303	312.9	318.5	299	19.05	11.91	59	275	213	125	41	165.6	342	102	11	18